

# TangoRail<sup>®</sup>

Self Adjusting  
Fencing  
System



FENCE SOLUTIONS IN ORNAMENTAL • CHAIN LINK • WOOD • PVC • ACCESS CONTROL • TEMPORARY

[WWW.MERCHANTSMETALS.COM](http://WWW.MERCHANTSMETALS.COM) 866-888-5611



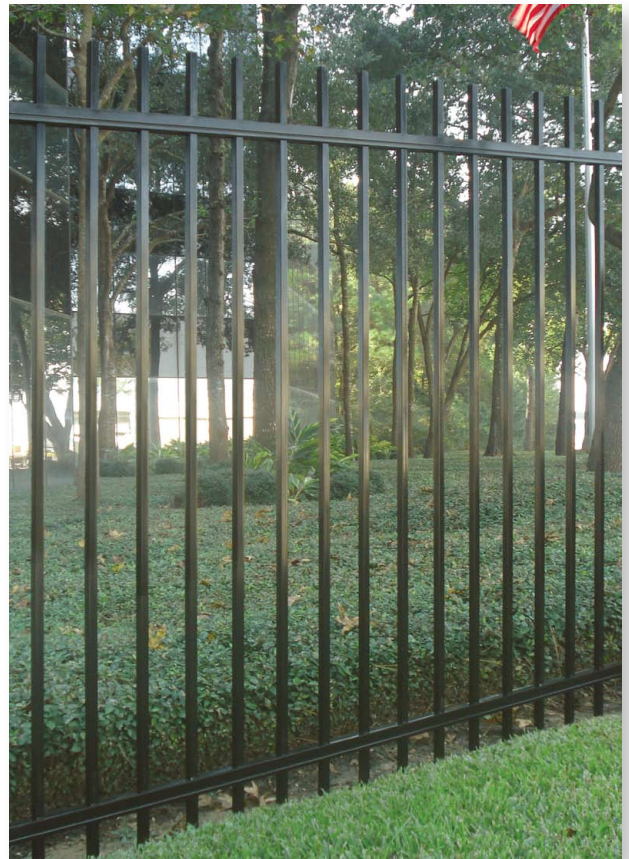
**Merchants Metals<sup>®</sup>**  
*the first name in fence solutions*

**T**angoRail® is a revolutionary steel fencing system that employs a unique and patented method for joining the pickets to rails. This design caters to elevation changes so the panels are easily adjusted on site to follow ground contours, eliminating the need for specially fabricated panels.

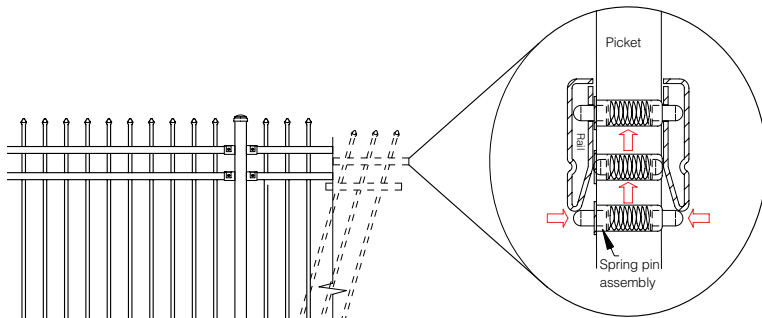
TangoRail is pre-galvanized both inside and out then sent through our state-of-the-art powder coating line where the galvanized material gets coated with a primer and TGIC polyester top coat resulting in long lasting beauty and maintenance-free enjoyment for years to come.



Not only aesthetically attractive and cost effective, but its versatility, security and durability make TangoRail® the perfect perimeter security solution.

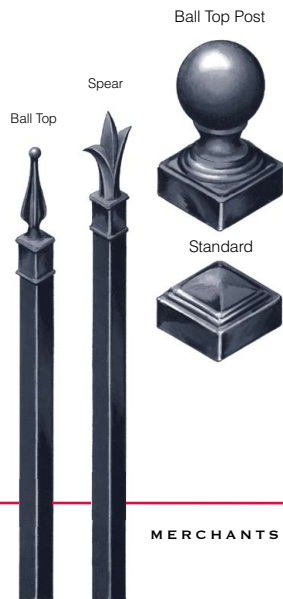
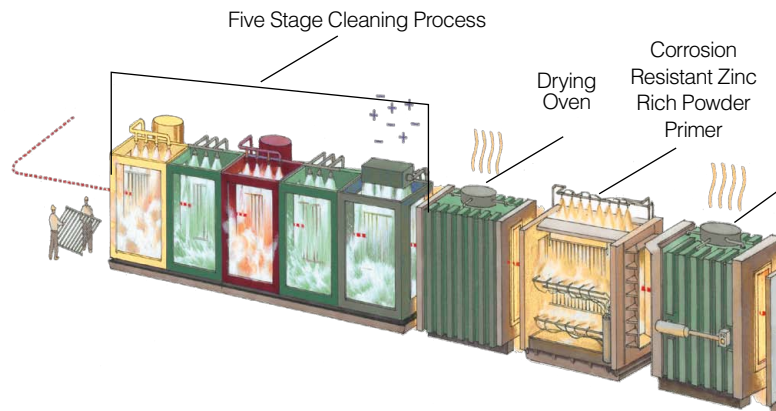


KENT FENCE STYLE



TangoRail® uses a unique pin-lock system for joining its pickets to rails allowing for self adjustment following change in ground contours.

Patent No.: US 6,631,887  
Additional Patent Pending

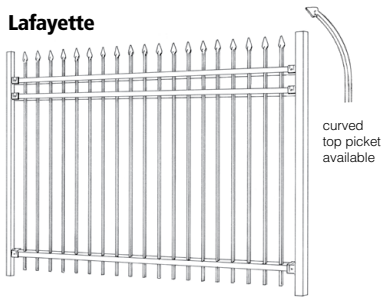


Merchants Metals leads the industry with an advanced powder coating process that incorporates a five-stage cleaning process for an added boost in protection. This process removes any impurities that could potentially hinder adhesion. Combined with a corrosion-resistant zinc rich powder primer and polyester powder top coat, to ensures that

each TangoRail® fencing system will be highly resistant to the effects of the elements.

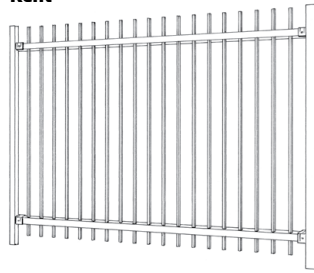
TangoRail® Fence Systems are assembled at the Merchants Metals factory to minimize your installation time and ensure long-term structural integrity. The fence panels and posts are shipped in carefully packaged pallets for economical and damage-free transit.

**Lafayette**



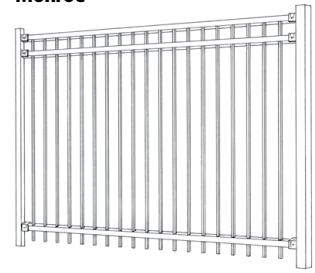
A straight and elegant design with pressed point pickets. Available in 2 or 3 rail styles.

**Kent**

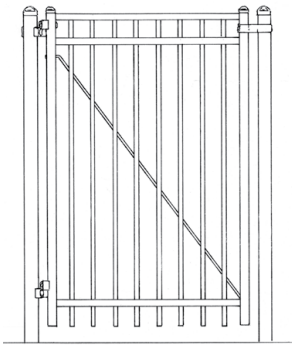


A classic design with square top pickets. Available in 2 or 3 rail styles.

**Monroe**



A clean and simple design, with no pickets above the top rail.

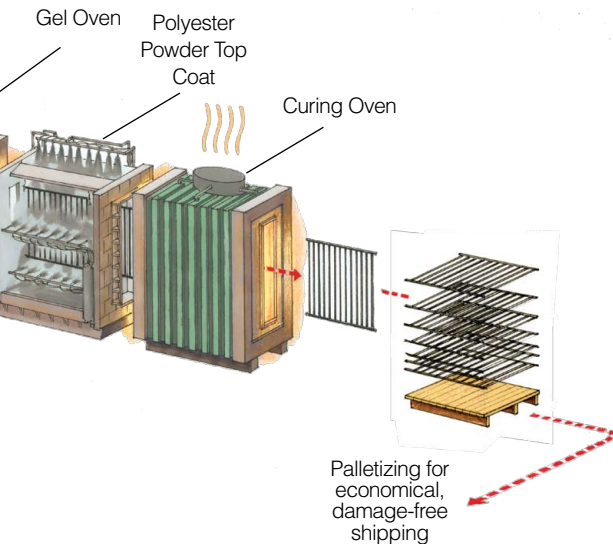


MONROE GATE STYLE SHOWN

A large selection of gates, posts and accessories are available to coordinate with your TangoRail® fencing solution. All are intricately fashioned by skilled craftsmen and then completed at the Merchants Metals factory with the same high-quality powder coat finishing.



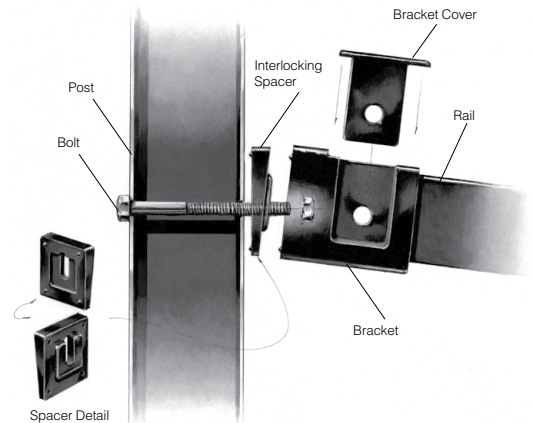
LAFAYETTE STYLE SHOWN



**Versatile Security Bracket**

Each spacer changes the angle by 7 1/2 degrees and adds 3/8 inch distance between posts. The bracket's tamper-proof construction also adds to the fence's security.

\* Other brackets available



**FEATURES**

- 24" of rackability in an 8' section
- Self adjusting to ground contours
- Fully assembled panels
- Durable powder coat finish
- Maintenance free
- No visible fasteners
- Galvanized steel components
- Designed and Engineered for Increased Strength and rigidity
- 3/4 x 16ga picket size

## Additional Fence Solutions

Merchants Metals is one of the largest manufacturers and distributors of fence systems in the nation. The company's complete line of fencing solutions for residential, commercial and industrial applications includes:

- Hot Dipped Galvanized Chain Link
- Color Coated Chain Link
- Steel Ornamental in Both Component and Fully-Welded Systems
- Aluminum Ornamental Systems
- Wood Fence
- PVC Fence, Rail and Deck
- Temporary Fence
- Aluminum Track Gates
- Access Control Products
- Guardrail
- Pre-hung Security Gates

All Merchants Metals products are available through professional fence contractors nationwide.

To find out more about Merchants Metals and the fencing solutions we offer, please call 866.888.5611 or visit [www.merchantsmetals.com](http://www.merchantsmetals.com).

### ORNAMENTAL



### CHAIN LINK



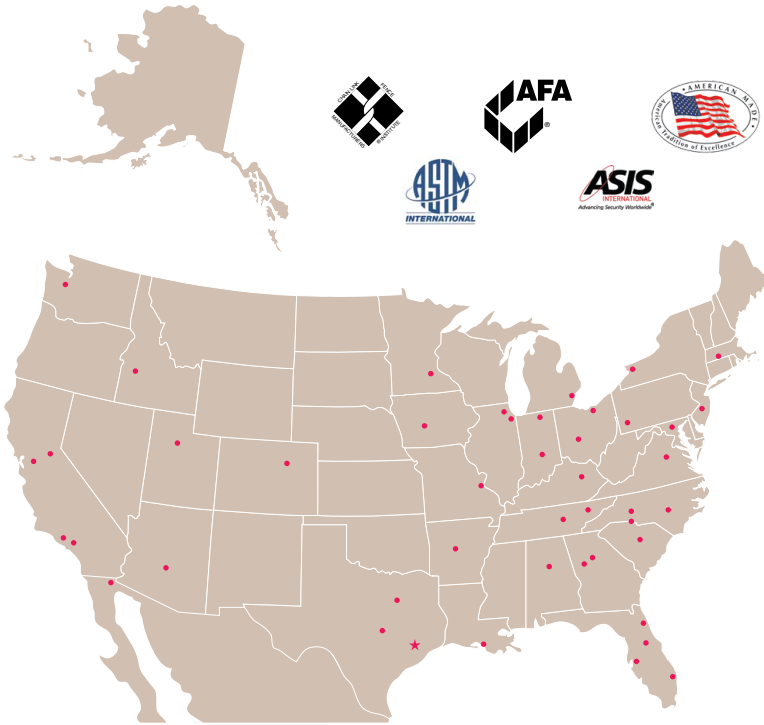
### WOOD



### PVC



### ACCESS CONTROL



# Merchants Metals®

*the first name in fence solutions*

[info@merchantsmetals.com](mailto:info@merchantsmetals.com)

[www.merchantsmetals.com](http://www.merchantsmetals.com)

*a division of MMI Products, Inc.*

